

# LOOP DRAWINGS

					Plant Expansion Project	
					DOCUMENT NO:	Sheet #
DATE	REVISION NOTE	APPR	REV #		LOOP DRAWINGS	1 of 8

**LOOP NAME**

**DESCRIPTION**

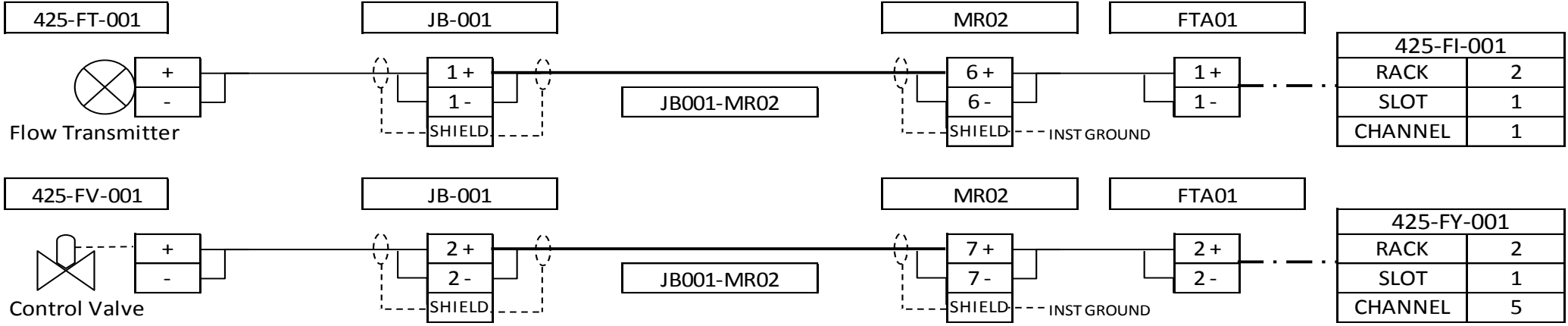
**SHEET No.**

425-F-001	Feed Flow	3
425-F-002	Steam Flow	4
425-P-003	Steam Pressure	5
500-F-001	Cooling Water Flow	6
500-L-001	Drum Level	7
600-V-001	On-Off Valve	8

3
4
5
6
7
8

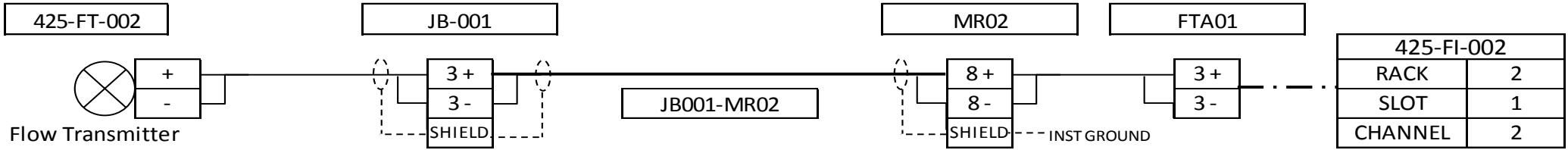
				LOOP	Plant Expansion Project	
					DOCUMENT NO:	Sheet #
DATE	REVISION NOTE	APPR	REV #	Table of Contents	LOOP DRAWINGS	2 of 8

FIELD	REMOTE INSTRUMENT ENCLOSURE
-------	-----------------------------



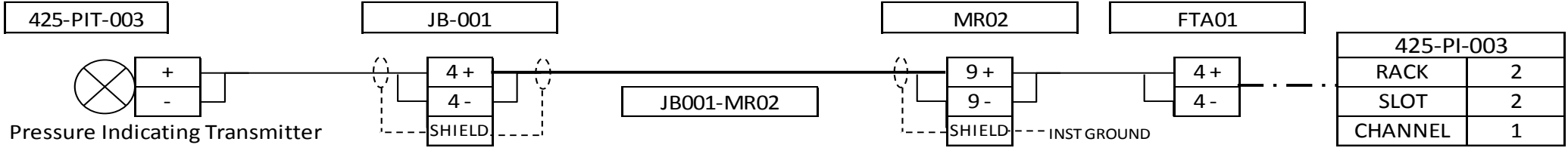
				LOOP <b>425-F-001</b>	Plant Expansion Project	
				Feed Flow	DOCUMENT NO:	Sheet #
DATE	REVISION NOTE	APPR	REV #		LOOP DRAWINGS	3 of 8

FIELD	REMOTE INSTRUMENT ENCLOSURE
-------	-----------------------------



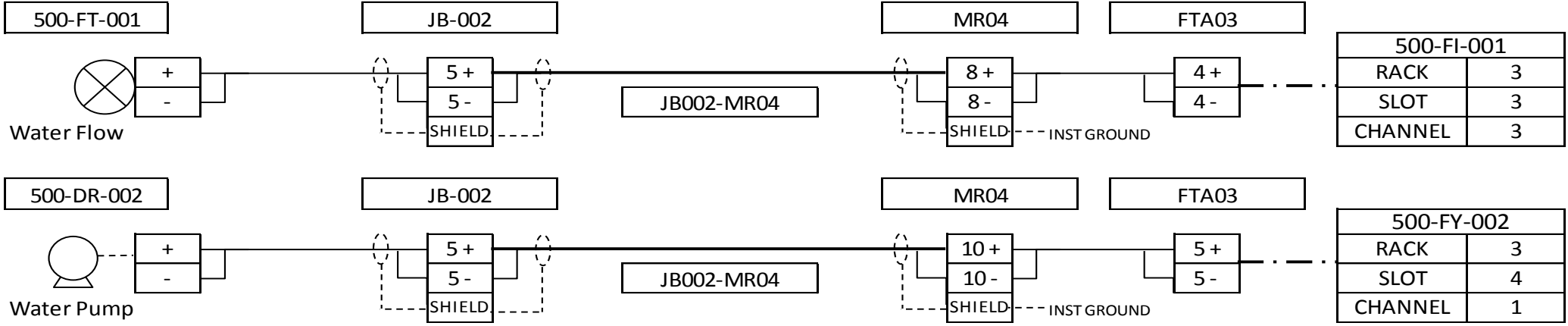
				LOOP <b>425-F-002</b>	Plant Expansion Project	
				Steam Flow	DOCUMENT NO:	Sheet #
DATE	REVISION NOTE	APPR	REV #		LOOP DRAWINGS	4 of 8

FIELD	REMOTE INSTRUMENT ENCLOSURE
-------	-----------------------------



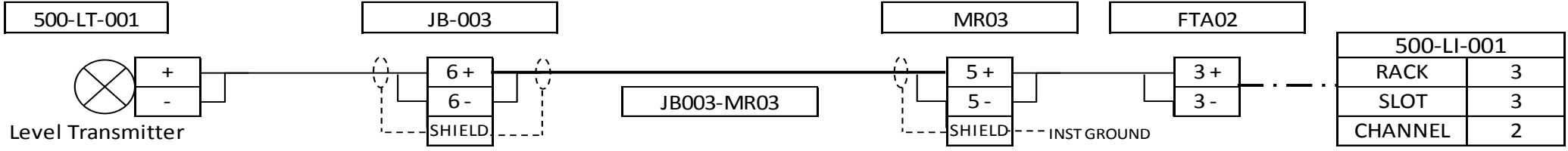
				LOOP	425-P-003	Plant Expansion Project	
					Steam Pressure	DOCUMENT NO:	Sheet #
DATE	REVISION NOTE	APPR	REV #			LOOP DRAWINGS	5 of 8

FIELD	REMOTE INSTRUMENT ENCLOSURE
-------	-----------------------------



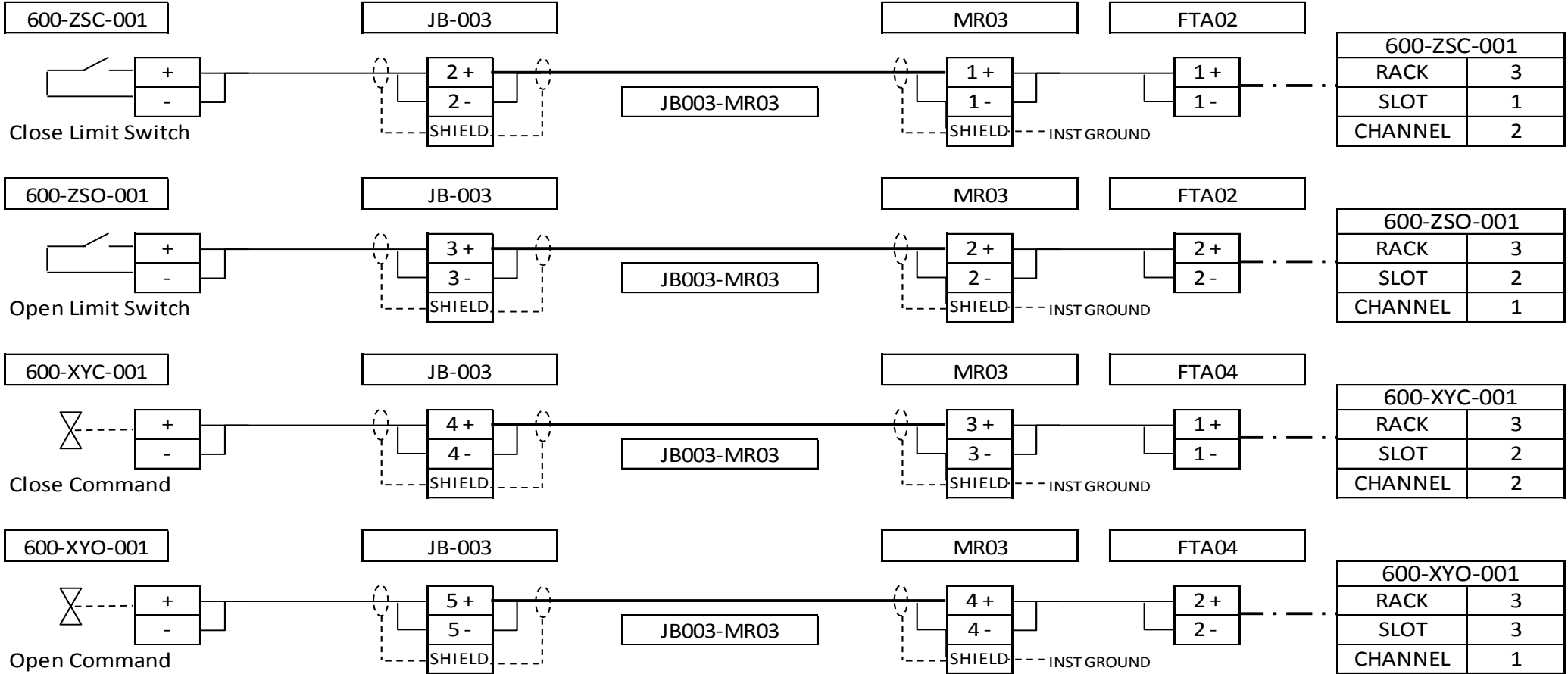
				LOOP <b>500-F-001</b>	Plant Expansion Project	
				Cooling Water Flow	DOCUMENT NO:	Sheet #
DATE	REVISION NOTE	APPR	REV #		LOOP DRAWINGS	6 of 8

FIELD	REMOTE INSTRUMENT ENCLOSURE
-------	-----------------------------



				LOOP	500-L-001	Plant Expansion Project	
						DOCUMENT NO:	Sheet #
DATE	REVISION NOTE	APPR	REV #		Drum Level	LOOP DRAWINGS	7 of 8

FIELD	REMOTE INSTRUMENT ENCLOSURE
-------	-----------------------------



				LOOP <b>600-V-001</b>	Plant Expansion Project	
				<b>On-Off Valve</b>	DOCUMENT NO:	Sheet #
DATE	REVISION NOTE	APPR	REV #		LOOP DRAWINGS	8 of 8